

Posi-Drain

Premium Posi-Valve Electric Timer Drain

FEATURES & BENEFITS:

- Straight Through, Self Cleaning Guillotine Style Posi Valve
Prevents clogging, makes valve dependable in adverse conditions
- Dual-Adjustable Solid-State Timer
Easy adjustment of both drain frequency and length of drain cycle
- Pilot Lights for Power (red) and Valve Open (green)
Conserves compressed air
- NEMA 4X Enclosure
Rugged and non-corrosive
- Mounting Tabs for Wall or Panel Mount
Durable mounting tabs offer flexible positioning
- Multi Valve Capabilities
PD7000 can operate up to four valves at once
- Versatile for Many Applications
Can be used for filters, air receivers, dryers, separators & aftercoolers



SPECIFICATIONS

INLETS/OUTLETS: 1/4" NPT

DRAIN CYCLE FREQUENCY: 5 seconds - 50 minutes

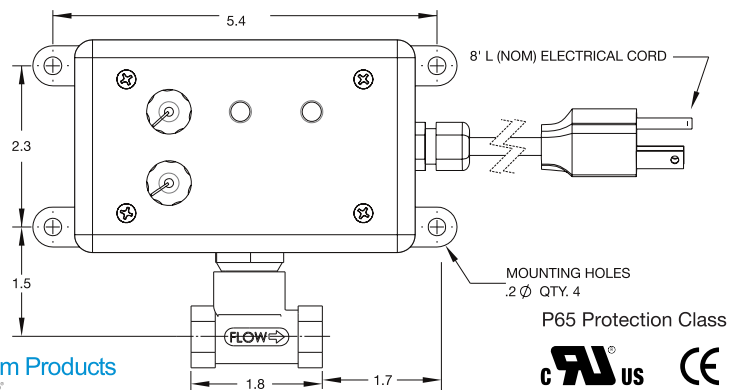
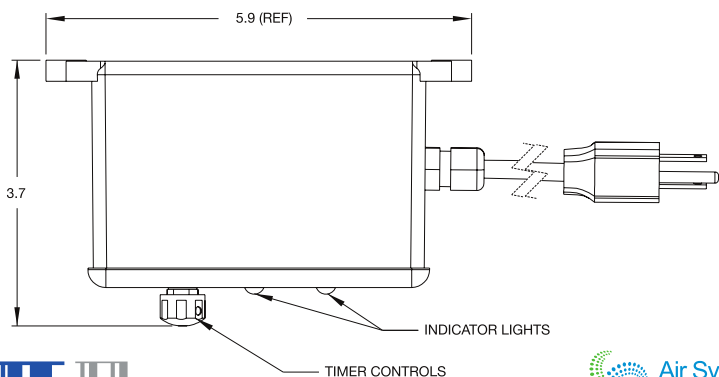
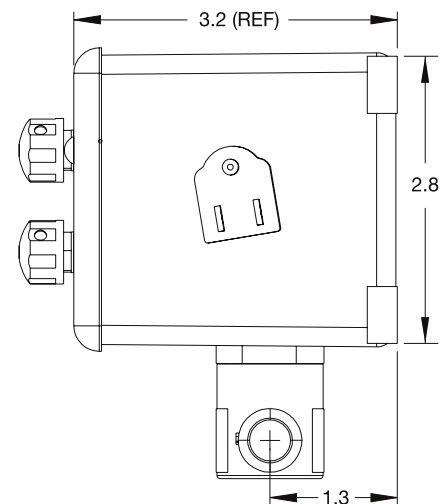
DRAIN CYCLE TIME: 1 - 15 seconds

PRESSURE: 200 PSI

POWER CORD: 8 ft. with NEMA 5-15 3-blade,
125 VAC grounded plug.

VOLTAGE: 115V/1PH/60HZ. Additional voltages available.

NEMA 4X Enclosure: 6" x 3" x 3"



www.jamiesonequipment.com
sales@jamiesonequipment.com



Toll Free 800.875.0280